

# Castlegate Wireless

Single Residence Telephone Entry - No Phone Charge

## Description:

Castlegate Wireless is a hands-free wireless telephone entry system for single residence use. Utilizing the latest technology of **Voice Over Internet Protocol (VoIP)** and **non-line-of-sight 900MHz** broad band radio frequency (RF) technology for communication and access control. Unlike other wireless entry systems, the Castlegate wireless system works with all of the residence telephones through **RDIM interface** (patent pending). However, since calls do not go into the telephone company network, there are no charges for calls made from the system.

Visitors initiate calls from the entrance by pressing the "call" button on the illuminated faceplate. The call is received in the residence by a remote transceiver unit and is coupled into the resident telephone network via the Trigon Remote Demarcation Interface Module (RDIM).

Residents, employees, or guests can access the premise immediately by entering their personal entry code on the Castlegate Wireless keypad.

## Features:

- ▲ Completely wireless
- ▲ Up to 4000-foot range with dipole antenna, longer ranges available
- ▲ Does not interfere with Wi-Fi networks
- ▲ 100 entry codes, 50 single use entry codes
- ▲ Remotely programmable from resident's phone.
- ▲ L.E.D. Front panel lighting
- ▲ 'Call waiting' is a standard feature.
- ▲ Privacy mode programmable
- ▲ Non-corroding #316 Stainless Steel enclosure and face plate.
- ▲ Tamper resistant security screws assure security of system.
- ▲ Built in 7-Day clock, allows the creation of automated unlock schedule
- ▲ High power, underwater rated speaker assures clear communications to visitor.
- ▲ Two output relays allow control of an entrance plus other security device.
- ▲ Weather mount or flush mount designs
- ▲ Optional handheld remote controls available
- ▲ 1-year warranty



## Operation:

A visitor simply presses the "Call" button on the front of the Castlegate Wireless to alert the resident to their presence. The unit then automatically rings the resident's telephones. When the call is received, the resident may grant the visitor access by pressing the designated number on their touch-tone telephone.

Residents may gain entry by using a programmable 4-digit "keyless" entry code at the Castlegate Wireless gate unit. Up to 100 such easily voided codes can be set. Codes may be given to gardeners, pool maintenance, and such to avoid issuing keys and potentially expensive re-keying later.

Residents will know when a visitor is requesting entry, even if they are using their telephone at the time. A tone will notify the resident of the incoming call. They then press the "star" key on a touch-tone telephone to put the outside call on hold. When the visitor at the gate has been granted or denied access, the resident can return to their outside call by simply pressing the "star" key again.

Castlegate Wireless



PH: (951) 371-1730 • FAX (951) 371-2592 •

255 Glider Circle, Corona CA 92880

[www.TrigonElectronics.com](http://www.TrigonElectronics.com)

# Castlegate Wireless

## Single Residence Telephone Entry - No Phone Charge

### Specifications:

- ▲ **Design**- Hands-free wireless telephone entry unit with remote transceiver unit and RDIM telephone line interface.
- ▲ **Range**-4000 feet with dipole antenna, longer ranges available with optional antennas.
- ▲ **Capacity** - Single-residence, wireless, "No Phone Charge" system. Includes 100 programmable, 4-digit "keyless" entry codes and 50 single use codes.
- ▲ **Programming** - Locally at the keypad or from any touch tone telephone in the residence.
- ▲ **System Security**- Program access code prevents unauthorized dialing even via tone injection.
- ▲ **Output** - Two output relays rated 5 Amps at 12VDC or 1 Amp at 120VAe. Relays duration is programmable from momentary to 99 seconds. Programming and 7-Day clock feature allows automatic unlock schedule for each relay.
- ▲ **Input** - Keypad is active for direct pin code input. Postal lock circuit accepts "open" input signals from special devices such as key switches, loop detectors, etc.

### Construction

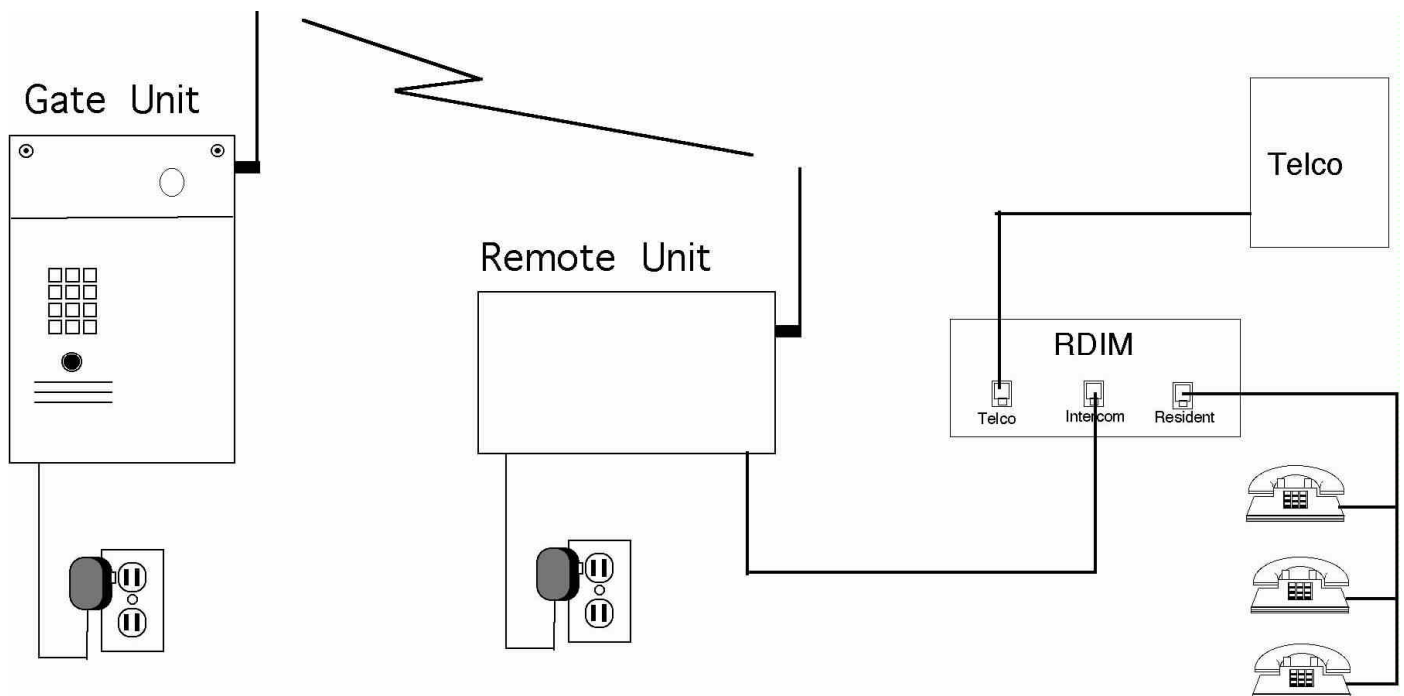
- ▲ Polished and line-grained, non-corroding # 316 Stainless Steel faceplate and enclosure with 'tamper resistant' security screws.
- ▲ Double baffled, underwater rated, fiber material speaker. . High quality carbon microphone in an acoustical chamber.
- ▲ Power - Two 120VAC/12VDC, 40VA, Class 2 fused, transformer (included).

Mounting - Surface or flush mount.

Operating Temperature - -40° C to + 70° C

### Accessories / Options:

- ▲ **Line Filter** - Suppresses RFI/EMI from input power line.
- ▲ **High gain antennas** - Allows longer ranges up to ten miles
- ▲ **Gooseneck** - Allows the unit to easily mount in chosen location



PH: (951) 371-1730 • FAX (951) 371-2592 •

255 Glider Circle, Corona CA 92880

[www.TrigonElectronics.com](http://www.TrigonElectronics.com)